

# **GS Series Telescopic sight for Infrared Thermal Imaging Gun**

V1.0

## GS infrared thermal imaging gun Telescopic sight

VERSION	Modification Date	Author	Business Reviewer	Notes
V1.0	202305			

Remark Copyright Notice:

The copyright of this document is owned by Shenzhen Dianyong Technology Co., Ltd. The article involves proprietary information of Shenzhen Dianyong Technology Co., Ltd. Without written permission from Shenzhen Dianyong Technology Co., Ltd., no unit or individual is allowed to use or disclose this document, as well as any images, tables, data, and other information contained in this document.

## **CONTENTS**

1. Product Introduction .....	1
2. Specification parameters .....	2
3. External configuration .....	3
4. Product image .....	4
5. Product packaging .....	5

## 1. Product Introduction

GS series infrared thermal imaging Telescopic sight has a variety of models to choose from to meet the requirements of short, medium and long operating distances. At the same time, it also provides the function of external Laser rangefinder, which can automatically coordinate with the sighting and delineation to achieve fast and accurate shooting. This product has a strict moisture-proof and waterproof design, suitable for all-weather indoor and outdoor use.



- Detachable battery, easy to replace, suitable for outdoor use
- Four different shock absorbers can meet the needs of different firearms
- Multiple models with different functions to meet the needs of users
- External laser ranging, flexible application

## 2. Specification parameters

The specifications and parameters of GS series infrared thermal imaging gun Telescopic sight are as follows:

	<b>GS-02S</b>	<b>GS-02M</b>	<b>GS-03S</b>	<b>GS-03M</b>	<b>GS-06S</b>	<b>GS-06M</b>
Resolution Ratio	256*192 2	256*192	384*288	384*288 8	640*512	640*512
Working Band	8~14um					
Frame Rate	25Hz					
NETD	45mK@25°C					
Shot	11mm F/1.0		25mm F/1.0 35mm F/1.0 Two options available		35mm F/1.0 50mm F/1.0 Two options available	
Lens Adjustment	Adjustable focal length, closest imaging 1 meter		Adjustable focal length, closest imaging 2 meters			
Viewing Angle						
Hot Track	support					
Swatches	6 night vision color palettes: Iron Red, White Heat, Black Heat, Desert Green, Night Vision Rainbow, Red Heat, etc					
Eyepiece Resolution	1024*768					
Eyepiece Refractive Adjustment	Adjustable refractive index, supporting up to 600 degree myopia					
Image Enlargement	1X, 2X, 4X		1X, 2X, 4X, 8X			
Battery	4 CR123A detachable batteries, operating for 5 hours					
Charging Method	External battery pack charging					
Laser Ranging	External laser ranging, connected through USB interface					
WIFI	Not Supported	support	Not Supported	support	Not Supported	support
photograph	support					
Picture Recording	Not Supported	support	Not Supported	support	Not Supported	support
Storage	Built in EMMC 32G storage					
Mobile Browsing	Not Supported	support	Not Supported	support	Not Supported	support

Waterproof And Dustproof	IP67					
Product Size	200mm x 80mm x 110mm					
Shock-absorbing Bracket	Different shock absorption brackets can be configured in different ways					
Net Weight	420g	460g	460g			
Package Size	270mm x 150mm x 120mm					
Gross weight (including color box packaging)	970g					
Interface	USB Type-C (supports data transfer), HDMI interface					

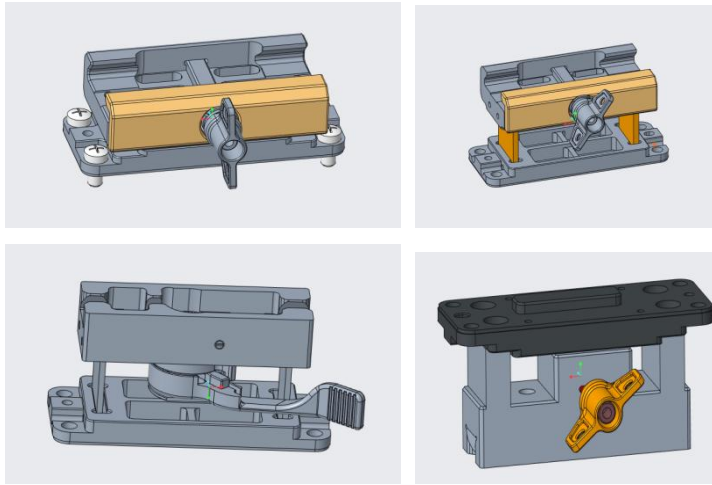
**Precautions:**

1. Do not point the lens and eyepiece of the Thermographic camera directly at the sun, laser, electric welding and other high-intensity radiation sources when the machine is turned on or off, or the damage will not be guaranteed. Thermal imaging should cover the lens cover in a timely manner when not in use.
2. Do not point the lens and eyepiece of the Thermographic camera directly at the sun, laser, electric welding and other high-intensity radiation sources when the machine is turned on or off, or the damage will not be guaranteed. When the thermal imaging device is not in use, the mirror should be covered in time. 2. When the Thermographic camera is not in use and during transportation, please place the Thermographic camera in a protective packaging box to avoid damage
3. When not using thermal imaging for a long time, please remove the

**battery.**

**4. Wiping the thermal imaging lens requires the use of alcohol wiping solution**

### 3. External configuration



Between 4 optional shock absorbers

laser range finder

### 4. Product image

### 5. Product packaging

The packaging list of the DP-22 handheld device is as follows:

No.	Project	Number
-----	---------	--------



GS Series Telescopic sight for Infrared Thermal Imaging Gun

---

1	Quantity DP-22 infrared thermal imaging handheld device	1
2	USB Type-C data cable	1
3	Lanyard	1
4	Product manual	1
5	warranty card	1